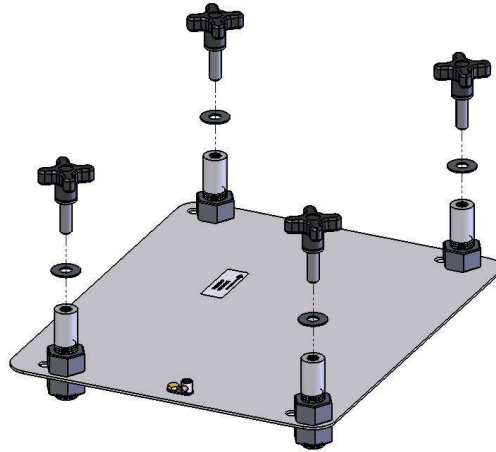


# INSTALLATION AND OPERATING INSTRUCTIONS



## PRO POOL™ QUICK-ATTACH ANCHOR

MANDATORY – LEAVE THIS MANUAL WITH LIFT OWNER

### - READ CAREFULLY -

Check entire box and inside all packing materials for parts. Before beginning assembly, read the instructions and identify parts using the figures and parts listed in this document. It is critical that all parts be carefully inspected by the installer prior to installation to ensure that no damage occurred in transit and that a damaged part is not used. If any damage occurred in transit, Aqua Creek Products, LLC must be notified within three days of receipt of unit. Proper installation cannot be overstressed, as an improper installation voids Aqua Creek's warranty and may affect the safety of the user.



The Total Solution for Pool and Spa Access

9889 GARRYMORE LANE

MISSOULA, MT 59808

1-888-687-3552

FAX: 406-549-2602



## WARNING

### IMPORTANT SAFETY INSTRUCTIONS

1. READ AND FOLLOW ALL INSTRUCTIONS. LIFT SAFETY CAN ONLY BE ENSURED IF THE LIFT IS INSTALLED AND OPERATED PROPERLY – AS PER THESE INSTRUCTIONS.
2. WARNING- TO REDUCE RISK OF INJURY, DO NOT PERMIT CHILDREN TO USE THIS PRODUCT UNLESS THEY ARE CLOSELY SUPERVISED AT ALL TIMES.
3. WARNING- DO NOT PERMIT CHILDREN TO PLAY ON THIS PRODUCT.
4. WARNING- NEVER APPLY DIRECT WATER PRESSURE TO ELECTRONIC COMPONENTS.
5. DO NOT USE THE PRO POOL LIFT FOR WATER-DRAFTS OVER 12" (DECK TO WATERLINE).
6. NEVER OPERATE THIS LIFT UNDER LOAD WITH NO WATER (DRY POOL).
7. SAVE A COPY OF THESE INSTRUCTIONS.

## KIT CONTENTS

The QUICK-ATTACH ANCHOR KIT will arrive unassembled. Check the package contents to make sure it includes the following components:

- [1] ONE (1) ANCHOR JIG-PLATE
- [2] FOUR (4) 1" ANCHOR BODIES
- [3] EIGHT (8) 1" HEX NUTS (SS)
- [4] FOUR (4) ½" FLAT WASHERS
- [5] FOUR (4) Q-A ANCHOR BOLTS



## STANDARD 4-POINT PRESET ANCHOR KIT



## QUICK-ATTACH ANCHOR BOLT & ½" FLAT WASHER

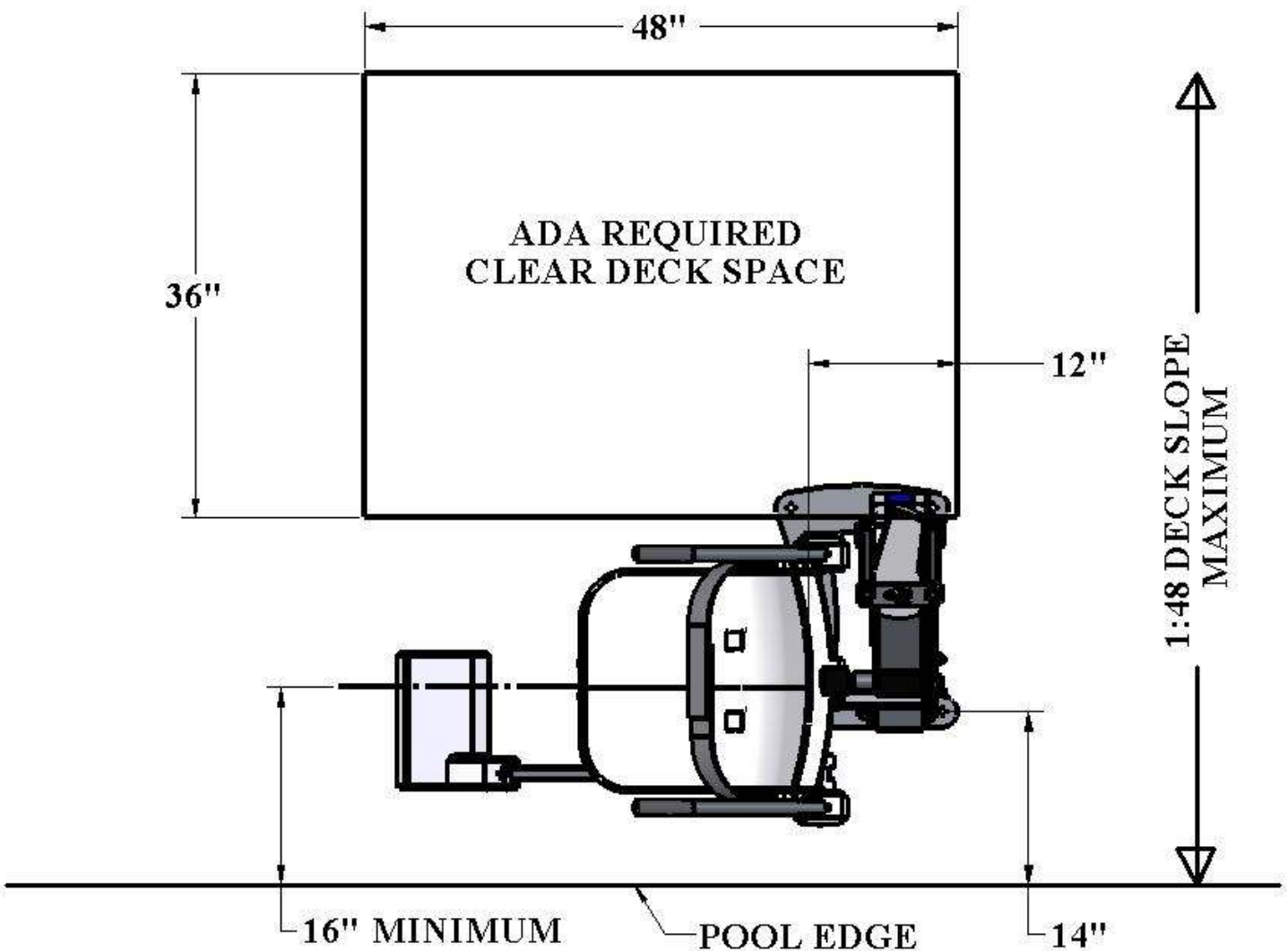
# INSTALLATION: ADA GUIDELINES

## ADA REQUIREMENTS:

The PRO POOL LIFT™ is designed and manufactured to be 100% ADA compliant. But for the installed lift to be 100% compliant the installation must meet the requirement for CLEAR DECK SPACE as shown in the diagram to the left. To be compliant, install the lift at 14 inches [357mm] (the maximum setback) from the pool edge, and make sure the deck has the required CLEAR DECK SPACE as shown.

**NOTE:** ADA requires a deck slope of no greater than 1:48 as shown.

**NOTE:** The ADA requires the seat to go at least 18" into the water. To make sure the lift has enough clearance the lift should be installed at a location with 44"-48" of depth (deck to pool floor).



## 4 –POINT PRE-SET ANCHOR INSTALLATION

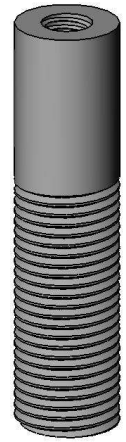
**NOTE: THE 4-POINT PRESET ANCHOR CAN BE INSTALLED IN EITHER A NEW POOL DECK OR AN EXISTING DECK. BEFORE INSTALLING MAKE SURE THE WATER-DRAFT IS 12" OR LESS (DECK TO WATERLINE). INSTALL THE LIFT AT A LOCATION WITH 44" TO 48" OF DEPTH.**

### RETRO-FIT INSTALLATION / EXISTING DECK APPLICATION

#### TOOLS REQUIRED:

MARKING PEN/PENCIL	LEVEL
1-1/4" CORE DRILL BIT	HIGH STRENGTH ANCHOR ADHESIVE
CORE DRILL	TAPE MEASURE
HAMMER	CHISEL

1. Locate the anchor jig and the FOUR (4) anchor bolts. **FIGURE 1**
2. Using the anchor jig plate smaller holes as a template, mark the FOUR (4) hole locations on the deck. The front anchor must be no more than 14 inches [356mm] from the pool wall. **FIGURE 3**. Make sure to keep the two rear anchor holes parallel to the pool wall.
3. Remove the 1" hex nuts from the anchor bolts. Core Drill a 1-1/4" [32mm] diameter hole at the FOUR (4) locations marked from step 1. Drill to a depth of 4" to 5" [10cm to 13cm].
4. Remove the core from the hole with a chisel and hammer if necessary. Clean out all four holes completely.
5. Fill each hole approximately ½ full with high strength anchor adhesive.\*
6. Ground at least one anchor bolt to an existing bonding grid or appropriate ground source per local codes.
7. Install the FOUR (4) anchor bolts into the epoxy filled holes. Make sure that the top of the bolts will be flush with the top of the pool deck. (NOTE: To make positioning of the anchors easier the ½" bolts may be temporarily installed in the anchors to give you something to hold onto.)
8. Let the adhesive cure as per the manufacturer's instructions before installing the PRO POOL LIFT™.



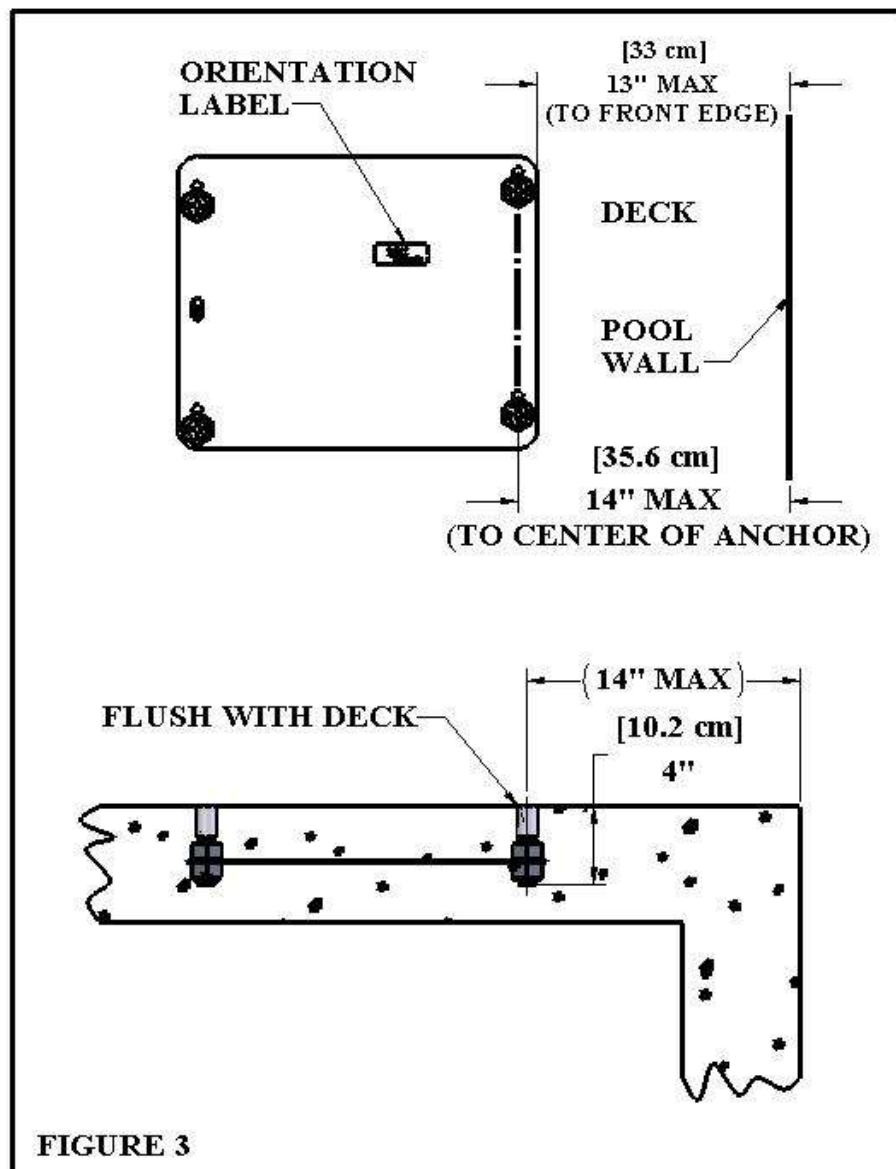
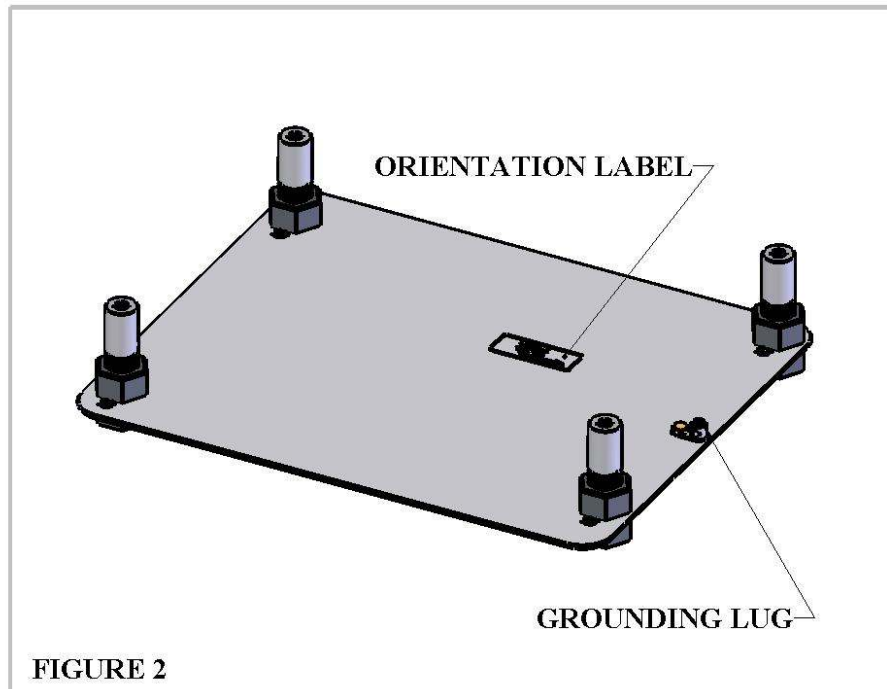
**FIGURE 1  
(ANCHOR BOLT,  
HEX NUTS  
REMOVED)**

\* Use HILTI HIT HY-150 or SIMPSON ET22 StrongTie anchor adhesive or equivalent.

### NEW CONSTRUCTION: ANCHOR INSTALLATION

When the lift is installed on a new deck, the slab should be a minimum of 6" [15cm] thick at the lift location, and should be reinforced with #4 reinforcing bar at 10" [25.4cm] on center in each direction. The total pad area should be 3 feet [92cm] wide (from the edge of the pool back) by 3 feet [92cm] long.

1. Locate the preset anchor jig assembly and the four (4) anchor bolts. Mount the anchor bolts to the jig plate as shown in **FIGURE 2**.
2. Ground the jig plate using the attached bronze grounding lug. Check local codes for anchor grounding.
3. Locate the jig assembly at the desired pool location. The front anchor (centerline) must be no more than 14" [35.6cm] from the pool wall as shown in **FIGURE 3**. Make sure to keep the front two anchor holes parallel to the pool wall.
4. Make sure the anchor assembly is plumb and level – secure the anchors, and then pour the deck.



**NOTE:**  
FOR THE WIDE-SEAT OPTION THE MAXIMUM SETBACK TO THE CENTER OF THE ANCHORS IS 11" (10" TO THE FRONT EDGE OF THE JIG-PLATE).

## **LIFT INSTALLATION AND REMOVAL**

Once the 4-Point Preset Anchor has been installed and allowed to set for at least 48 hours, the pool lift may be installed and operated. The Quick Attach Anchor Bolts will be used to fix the lift safely and securely to the pool deck.

**STEP 1:** Using a hand-truck or the Aqua Creek Products Transport Cart (F-428HT shown – sold separately) carefully move the Pro Pool lift to the anchor location. Orient the anchor-bolt holes in the base-plate of the lift over the four (4) anchors. Lower and adjust the lift until all four holes line-up.



**STEP 2:** Place one of the ½” FLAT WASHERS over an anchor-bolt hole as shown. Install one of the QUICK-ATTACH ANCHOR BOLTS into the hole, through the flat washer.



**STEP 3:** Hand-tighten the anchor bolt as shown until tight. Do not be afraid to over tighten, but DO NOT USE A WRENCH OR LEVERAGE-DEVICE TO TIGHTEN. Only hand-tighten the bolts, but make sure they are tight.

Repeat steps 2 and 3 for all four bolts.

**LIFT REMOVAL:** To remove and transport the lift, reverse steps 1-3. Store the QUICK-ATTACH anchor-bolts and washers with the lift for easy retrieval.

