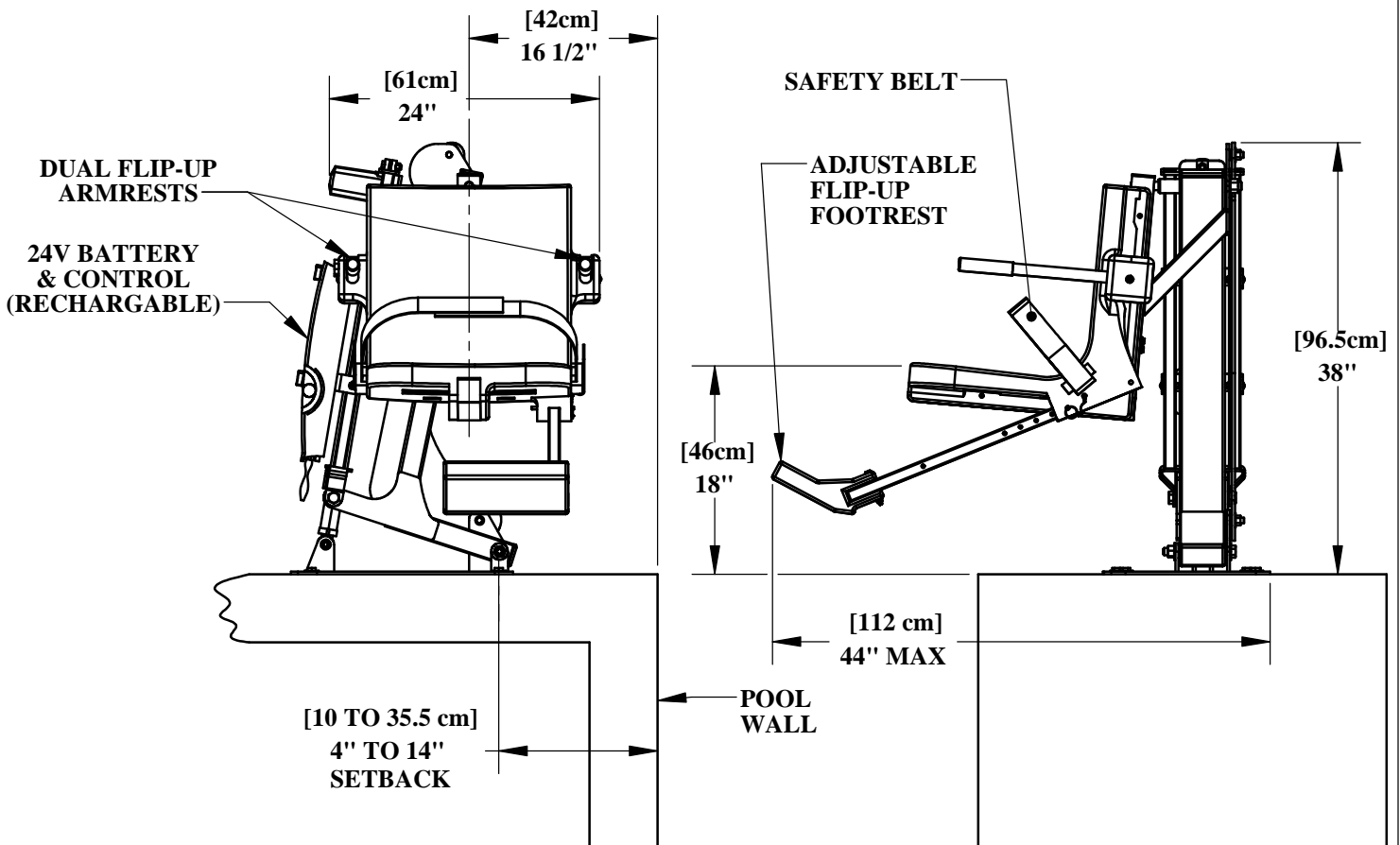


RANGER™ POOL LIFT



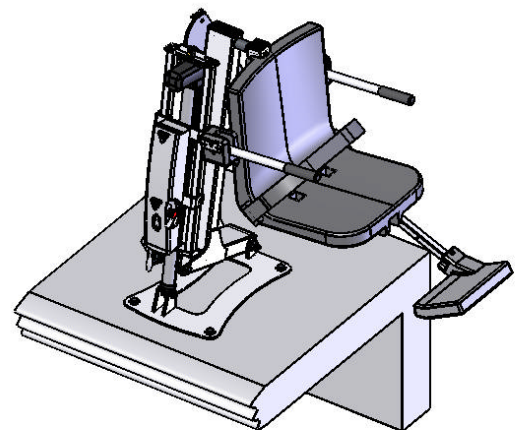
SPECIFICATIONS

THE AQUA CREEK RANGER POOL LIFT SHALL BE A 24V LINEAR ACTUATED, SELF OPERABLE, IN-GROUND POOL OR SPA LIFT. THE LIFT SHALL NOT INTRUDE INTO THE POOL OR SPA UNLESS IN USE. THE LIFT SHALL BE OF STAINLESS STEEL CONSTRUCTION AND DESIGNED TO LIFT 300 LBS [136 kgs] WITH A STATIC LOAD RATING OF 450 LBS [204 kgs]. AN 18" [45.7 cm] WIDE SEAT SHALL BE CAPABLE OF BEING SET BACK 16" [405 mm] FROM CENTERLINE OF SEAT TO POOL EDGE. A 24 VOLT WATERPROOF CONTROLLER SHALL BE USABLE BY THE OPERATOR OR AN ATTENDANT. A CONTROL BOX, BATTERY CHARGER AND ONE REMOVABLE 24V RECHARGABLE BATTERY SHALL COME STANDARD. THE LIFT SHALL INCLUDE A SEATBELT. THE LIFT SHALL CARRY A TWO (2) YEAR WARRANTY.

BASE PLATE: 1/4" STAINLESS STEEL TYPE 304
 MAIN HOUSING: 2" x 4" x .120" STAINLESS STEEL TUBE TYPE 304
 CHAIR AND FOOTREST: UV STABILIZED POLYETHYLENE (LLDPE)
 ACTUATOR: 24" STROKE LINAK LA34 LINEAR ACTUATOR
 FINISH: UV RESISTANT EPOXY POWDER COATING

Inspected And Verified To Meet
 Applicable Sections of ADA
 Guidelines Section 1009.2 By

wyle
 laboratories
 A Nationally Recognized
 Test Laboratory



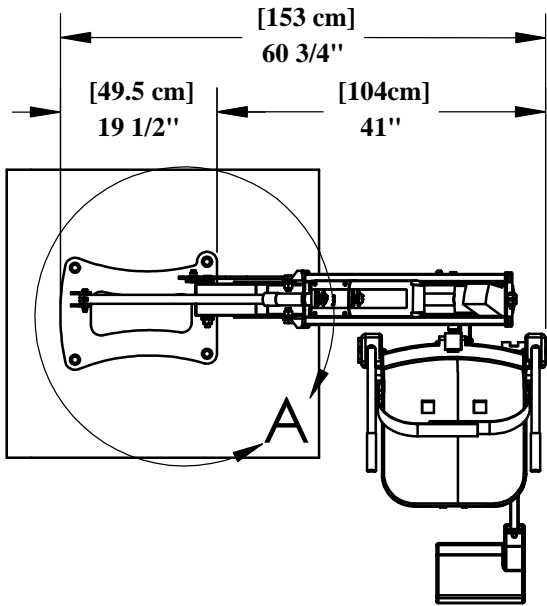
9889 GARRYMORE LANE
 MISSOULA, MT 59808
 (406) 549-0769
 FAX (406) 549-2602


Aqua Creek Products
 The Total Solution for Pool and Spa Access

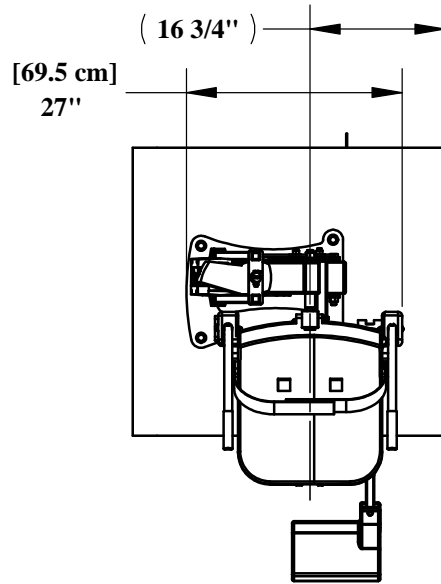
NOTE:
 *SPECIFICATIONS ARE SUBJECT TO CHANGE WITHOUT NOTICE
 *ALL DIMENSIONS ARE IN INCHES

PRODUCT:	F-411RPL-C	
DWG #:	F-411RPL-1	
SCALE:	1:18	DATE: 8/26/11
DRAWN BY:	DS	REVISION: F

RANGER™ POOL LIFT

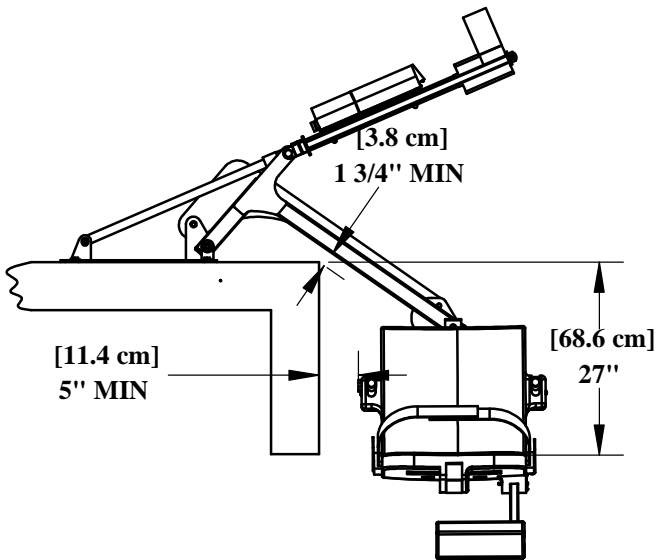


TOP VIEW



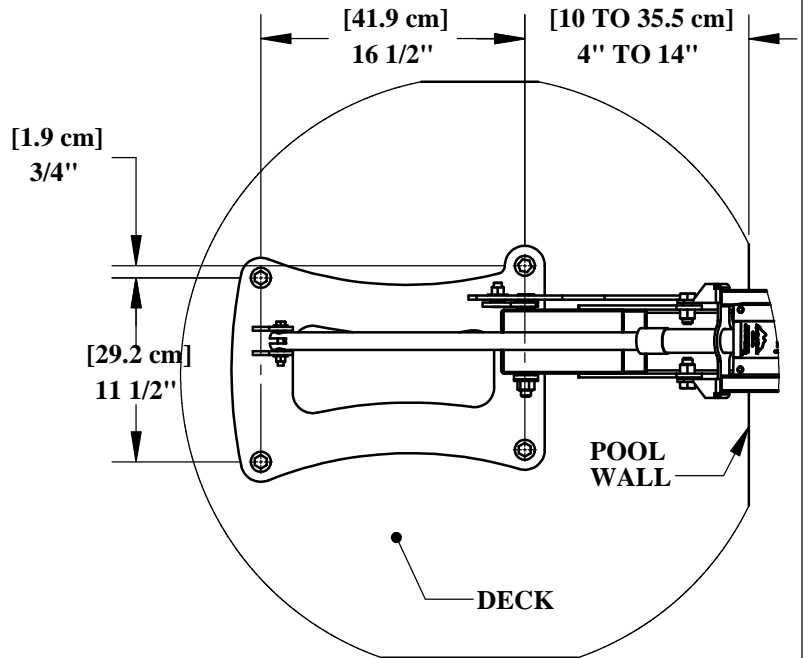
LIFT SHOWN IN FULLY RAISED POSITION

TOP VIEW



LIFT SHOWN IN FULLY LOWERED POSITION

FRONT VIEW



**DETAIL A
SCALE 1 : 12**

ANCHOR BOLT PATTERN



9889 GARRYMORE LANE
 MISSOULA, MT 59808
 (406) 549-0769
 FAX (406) 549-2602

NOTE:
 *SPECIFICATIONS ARE SUBJECT TO CHANGE WITHOUT NOTICE
 *ALL DIMENSIONS ARE IN INCHES

PRODUCT:	F-411RPL-C	
DWG #:	F-411RPL-2	
SCALE:	1:24	DATE: 8/26/11
DRAWN BY:	DS	REVISION: F