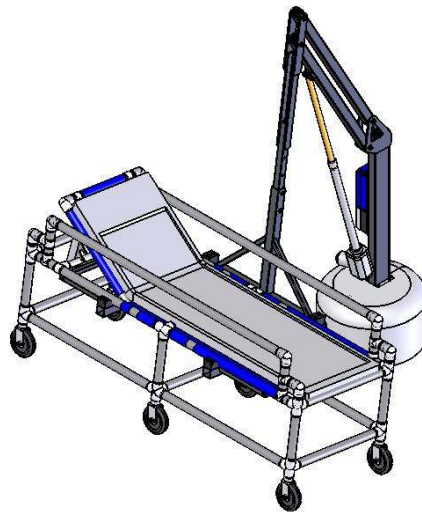




Aqua Creek Products

The Total Solution for Pool and Spa Access

INSTALLATION & OPERATING INSTRUCTIONS:



REVOLUTION GURNEY ATTACHMENT

LOAD CAPACITY: 500 LBS [227 kg]

MANDATORY: LEAVE THIS MANUAL WITH LIFT OWNER



WARNING

1. READ AND FOLLOW ALL INSTRUCTIONS. LIFT SAFETY CAN ONLY BE ENSURED IF THE LIFT IS INSTALLED AND OPERATED PROPERLY- AS PER THESE INSTRUCTIONS
2. WARNING- TO REDUCE RISK OF INJURY, DO NOT PERMIT CHILDREN TO USE THIS PRODUCT UNLESS THEY ARE CLOSELY SUPERVISED.
3. WARNING- DO NOT PERMIT CHILDREN TO PLAY ON THIS PRODUCT.
SAVE A COPY OF THESE INSTRUCTIONS

AQUA CREEK PRODUCTS

9889 GARRYMORE LANE

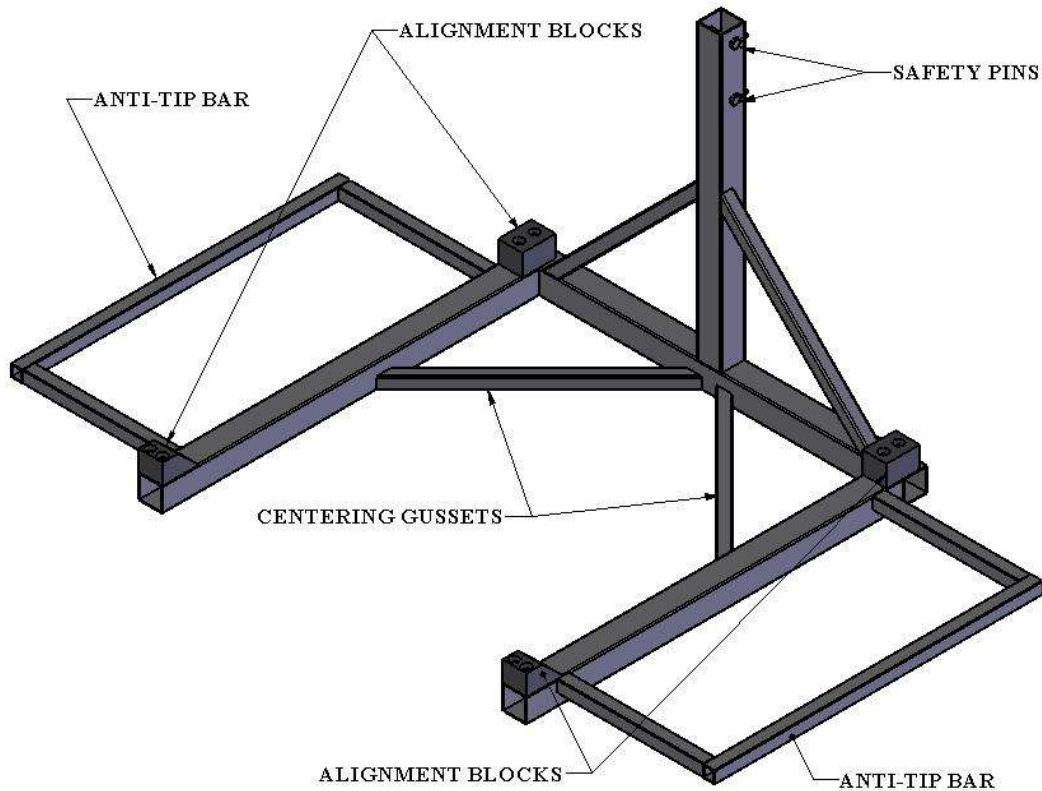
MISSOULA, MT 59808

1-888-687-3552

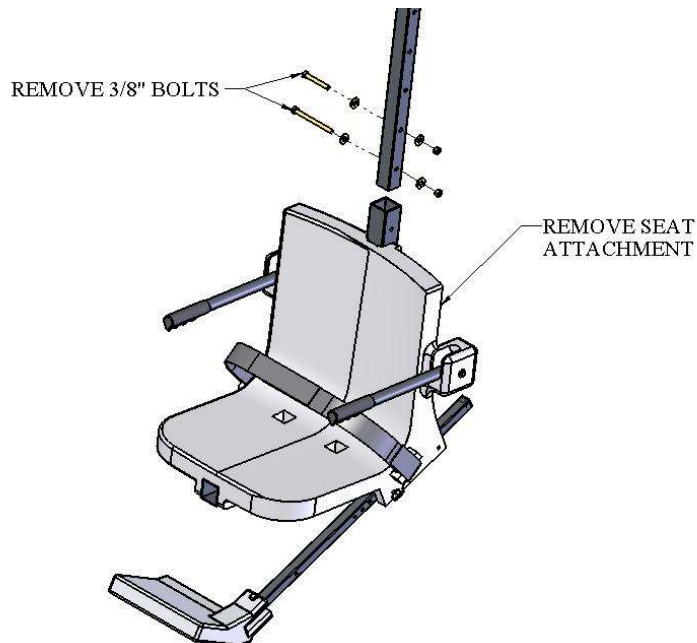
FAX: 406-549-2602

GURNEY ATTACHMENT INSTALLATION:

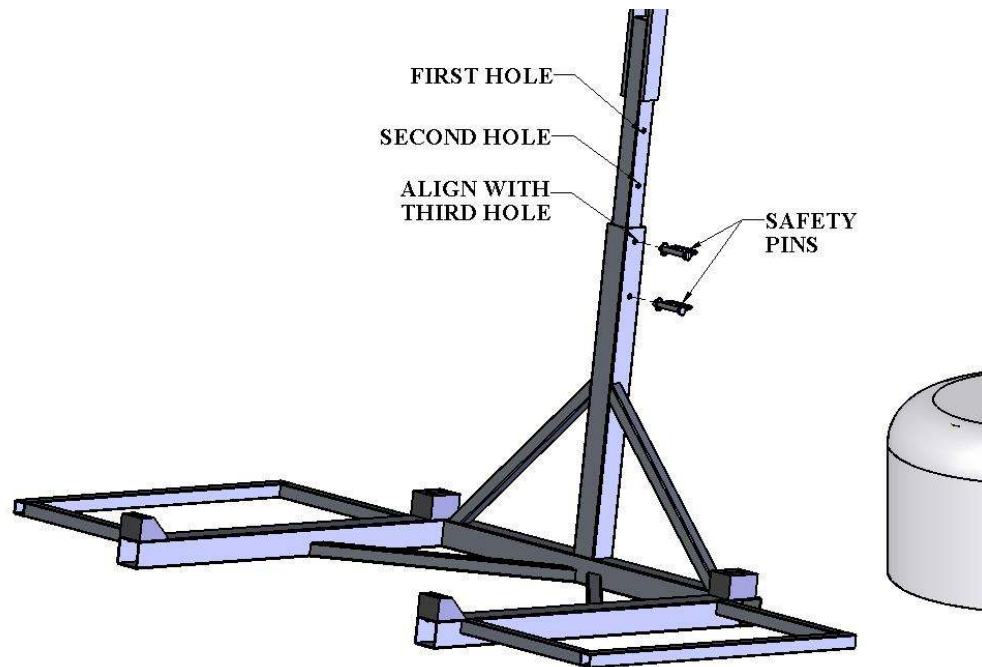
1. Remove the gurney attachment from the shipping box and compare to the figure below. Familiarize yourself with the product and its features before installation and/or operation.



2. To install the gurney attachment, first remove the existing seat attachment from the revolution lift by removing the two (2) 3/8" bolts from the seat arm and sliding the seat attachment off of the seat arm.



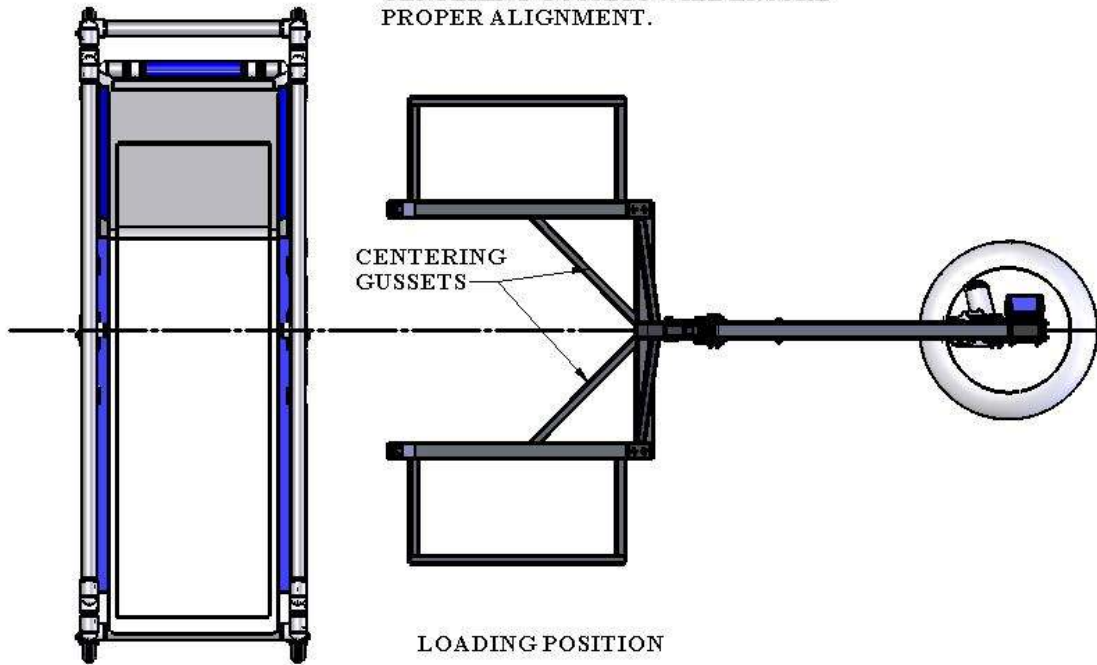
3. **Install gurney attachment with supplied safety pins as shown. Make sure to install the top pin in the third hole of the seat arm to ensure that the gurney attachment will be able to lift the gurney off the floor/deck. Loop safety clips around back of attachment tube and clip over safety pins to keep pins from slipping out of the holes.**



OPERATING INSTRUCTIONS:

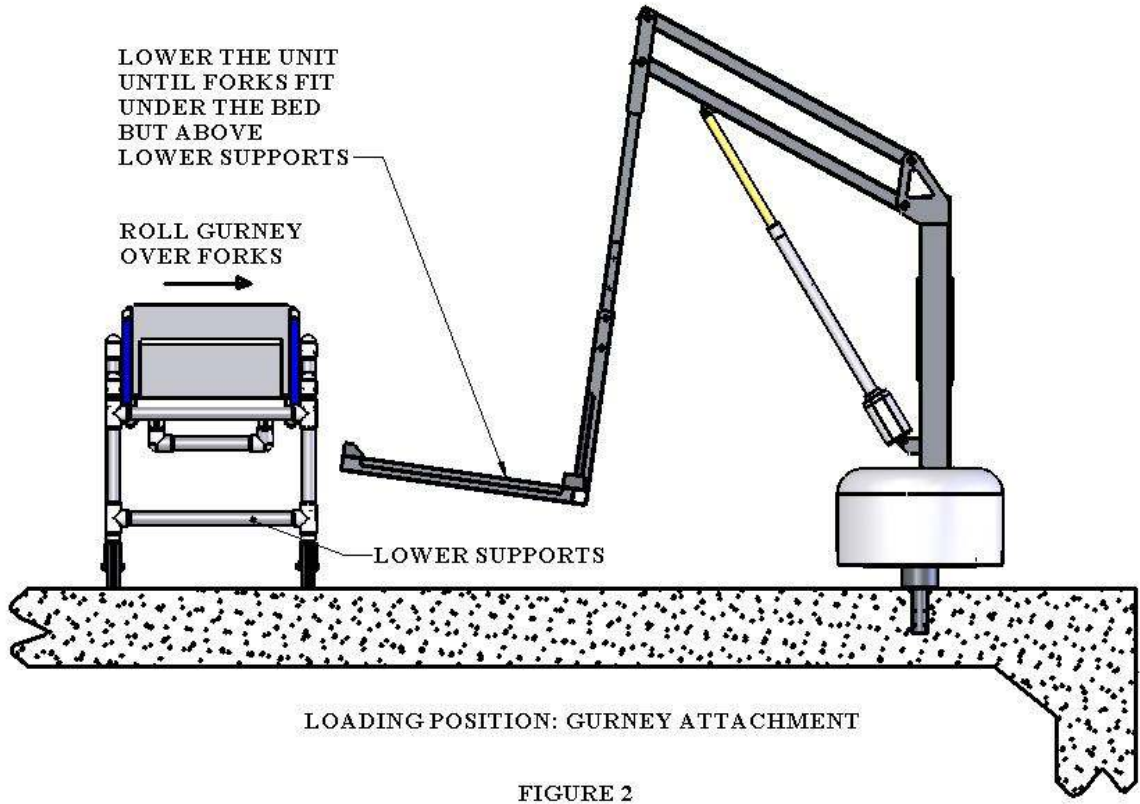
1. **Rotate lift/attachment over deck. Lower (raise) lift until the gurney attachment is about 12" over the deck as shown in FIGURE 2. This is so that the forks will fit under the gurney bed but over the lower supports.**
2. **Position the gurney on the deck centered with the middle of the gurney attachment as shown in FIGURE 1. Roll the gurney onto the gurney attachment as shown in FIGURE 2.**
3. **Raise the lift until the gurney is off the floor/deck as shown in FIGURE 3 and FIGURE 4. Make sure the gurney sits between the alignment blocks as shown.**
4. **Rotate the lift until the gurney is over the water as shown in FIGURE 5.**
5. **Lower the gurney into the water. Make sure not to let the occupants head become submerged.**

LINE UP CENTER OF GURNEY WITH
CENTER OF GURNEY ATTACHMENT.
CENTERING GUSSETS WILL ENSURE
PROPER ALIGNMENT.



LOADING POSITION

FIGURE 1: TOP VIEW



LOADING POSITION: GURNEY ATTACHMENT

FIGURE 2

AFTER GURNEY HAS BEEN
ALIGNED AND ROLLED OVER
THE FORKS, RAISE THE UNIT
ALL THE WAY UP UNTIL THE
WHEELS ARE OFF THE DECK.

MAKE SURE THE GURNEY FITS
ON THE ATTACHMENT AS
SHOWN - BETWEEN THE
ALIGNMENT BLOCKS.

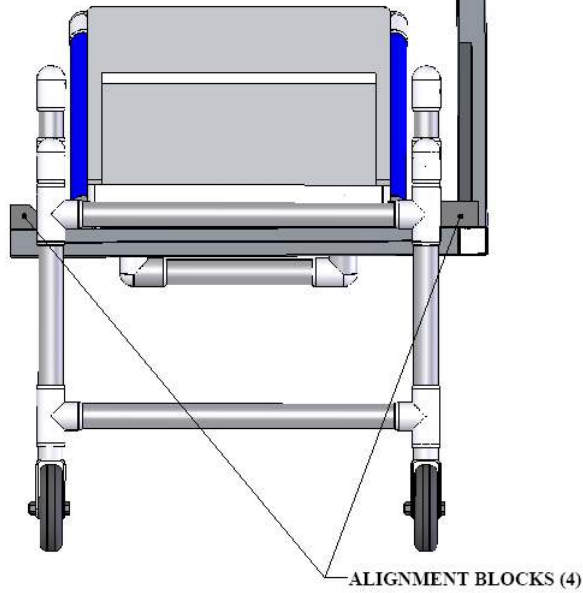


FIGURE 3: GURNEY LOADED & READY TO ROTATE

AGAIN, MAKE SURE THE GURNEY
IS PROPERLY SEATED BETWEEN
THE ALIGNMENT BLOCKS AS SHOWN.

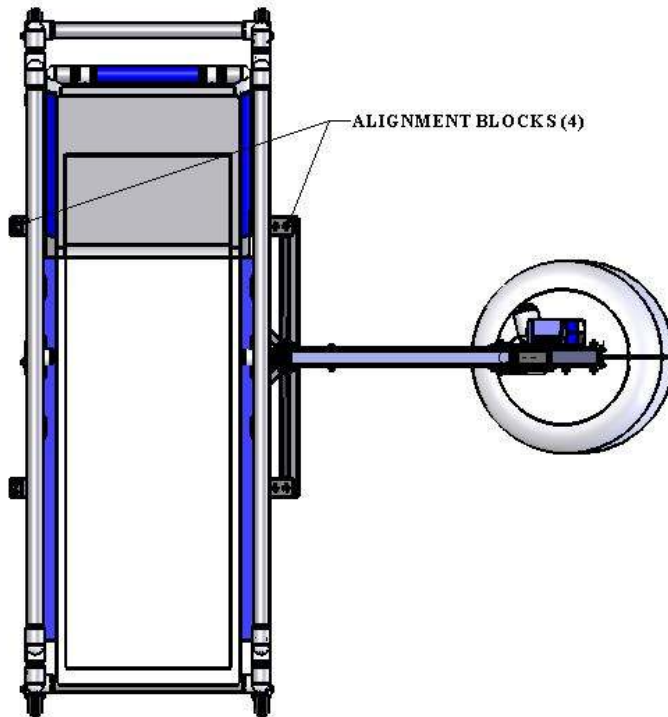


FIGURE 4: TOP VIEW
GURNEY LOADED AND READY TO ROTATE

ROTATE UNIT OVER WATER AND
LOWER UNTIL THE OCCUPANT IS
SUBMERGED.

DO NOT LET THE OCCUPANT'S HEAD
BECOME SUBMERGED

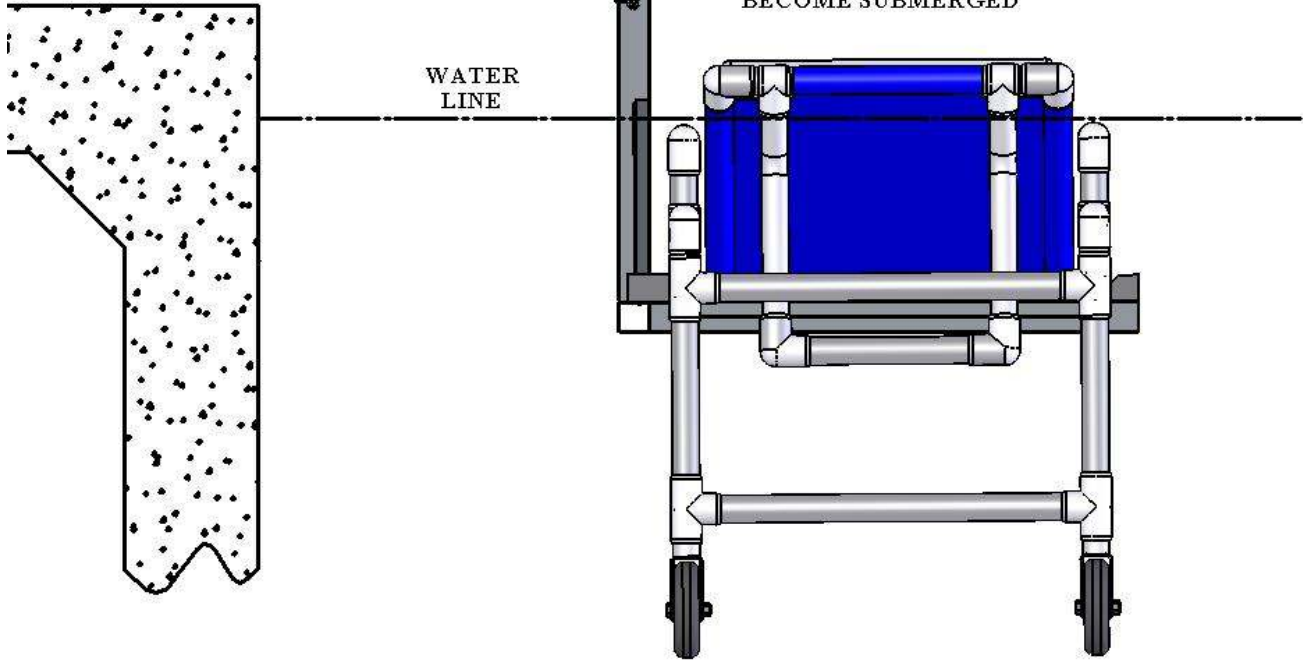


FIGURE 5

MAINTENANCE INSTRUCTIONS:

1. After use, always rinse the attachment and the gurney with fresh water. **DO NOT USE POOL WATER (CHLORINATED WATER).**
2. Store the gurney and gurney attachment in a dry location, away from pool chemicals. Do not store these items outdoors or in direct sunlight.
3. Inspect the attachment and the safety clips for rust or damage. Clean/replace as necessary.

Aqua Creek Products, LLC Limited Warranty: **REVOLUTION LIFT™ GURNEY ATTACHMENT**

Aqua Creek Products lifts have a **Limited Lifetime Warranty** on the frames, not including the powder coat finish. Aqua Creek Products, LLC (a.k.a. Aqua Creek) also warrants to the original end user that all non-frame components manufactured by Aqua Creek, when properly installed in accordance with assembly and installation instructions, and properly used and maintained, shall be free from defects in material and workmanship for a period of five (5) years from the date of original purchase, provided that Aqua Creek receives prompt notice in writing of any defect or failure and satisfactory proof thereof, with the following exceptions:

Exception : The gurney shall have a warranty period of one (1) year on the frame and six (6) months on the casters.

This warranty specifically excludes reimbursement for labor to remove, repair, or install the product and any return freight charges. These warranties do not cover any damages due to accident, misuse, abuse, negligence or failure to properly maintain any products, or normal wear and tear from day to day operations. In the event that any products are altered, repaired, or improperly installed or improperly used by anyone without the prior written approval by Aqua Creek, all warranties are void. **IMPORTANT: AMOUNT OF WEIGHT PLACED ON LIFT SHALL NOT EXCEED THE RATED LIFTING CAPACITY OF 500 POUNDS [227 kg] FOR THE GURNEY ATTACHMENT.**

To initiate a warranty claim, the owner of an Aqua Creek product must provide the place of purchase, in writing, with a full description of the product, its serial number, the dates of purchase and installation, and the exact nature of the defect. Within thirty (30) days after receipt of a written warranty claim by Aqua Creek, and barring any unforeseen delays, the place of purchase will be notified of Aqua Creek's decision regarding the claim.

If requested by Aqua Creek, any defective product must be returned, freight prepaid, to Aqua Creek's designated factory location or duly appointed distributor for inspection and/or repair. Aqua Creek will, at its option, repair or replace the failed or defective item, and deliver the repaired product or replacement to the buyer of the product, freight prepaid to the destination provided for in the original order. Products returned to Aqua Creek for which Aqua Creek provides replacement under this limited warranty shall become the property of Aqua Creek.

A new warranty period shall NOT be established for the repaired or replaced products. Such products shall remain under warranty only for the remainder of the original warranty period on the original products purchased.

This written limited warranty constitutes the final, complete and exclusive statement of warranty terms. No person or organization is authorized to make any other specific or implied warranties or representations on behalf of Aqua Creek.

THE WARRANTIES SET FORTH HEREIN ARE IN LIEU OF ALL OTHER WARRANTIES, EXPRESSED OR IMPLIED, WHICH ARE HEREBY DISCLAIMED AND EXCLUDED, INCLUDING WITHOUT LIMITATION ANY WARRANTY OF MERCHANTABILITY OR FITNESS FOR A PARTICULAR PURPOSE OR USE.

THE SOLE AND EXCLUSIVE REMEDIES FOR BREACH OF ANY AND ALL WARRANTIES WITH RESPECT TO THE PRODUCTS SHALL BE LIMITED TO REPAIR OR REPLACEMENT AT AQUA CREEK'S DESIGNATED FACTORY LOCATION, OR DULY APPOINTED DISTRIBUTOR, OR IN PLACE AT AQUA CREEK'S OPTION. IN NO EVENT SHALL AQUA CREEK'S LIABILITY EXCEED THE ENTIRE AMOUNT PAID TO AQUA CREEK BY THE ORIGINAL PURCHASER FOR THE FAILED OR DEFECTIVE PRODUCT.

IN NO EVENT SHALL AQUA CREEK PRODUCTS, LLC BE LIABLE FOR ANY INCIDENTAL, CONSEQUENTIAL, SPECIAL, INDIRECT, PUNITIVE OR EXEMPLARY DAMAGES OR LOST PROFITS FROM ANY BREACH OF THIS LIMITED WARRANTY OR OTHERWISE.

Aqua Creek Products
9889 Garrymore Lane
Missoula, MT 59808