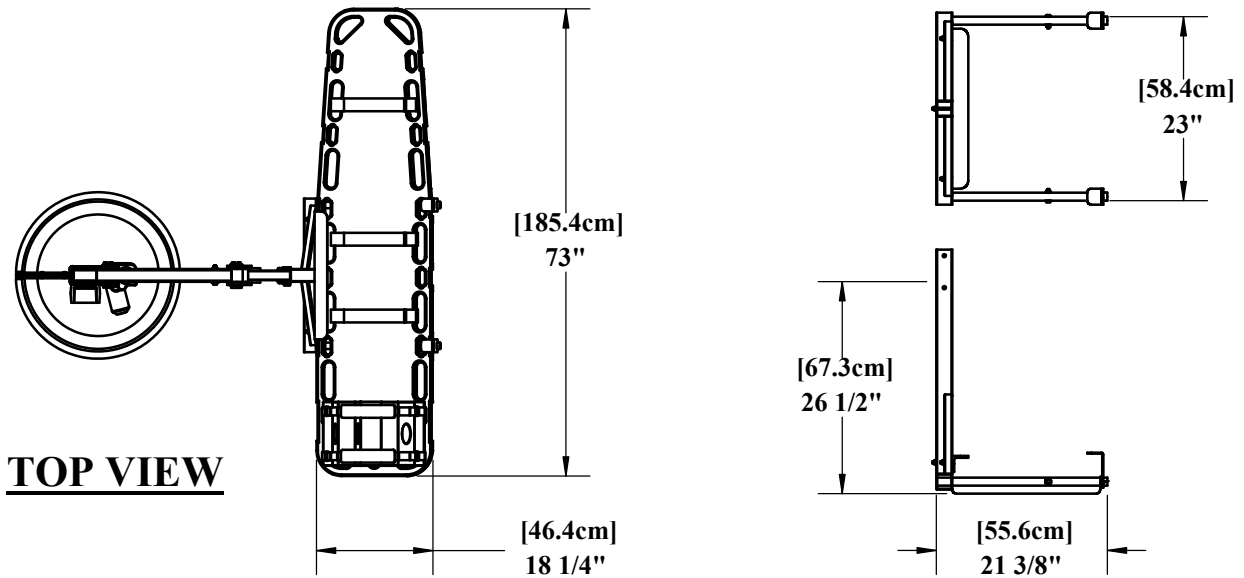
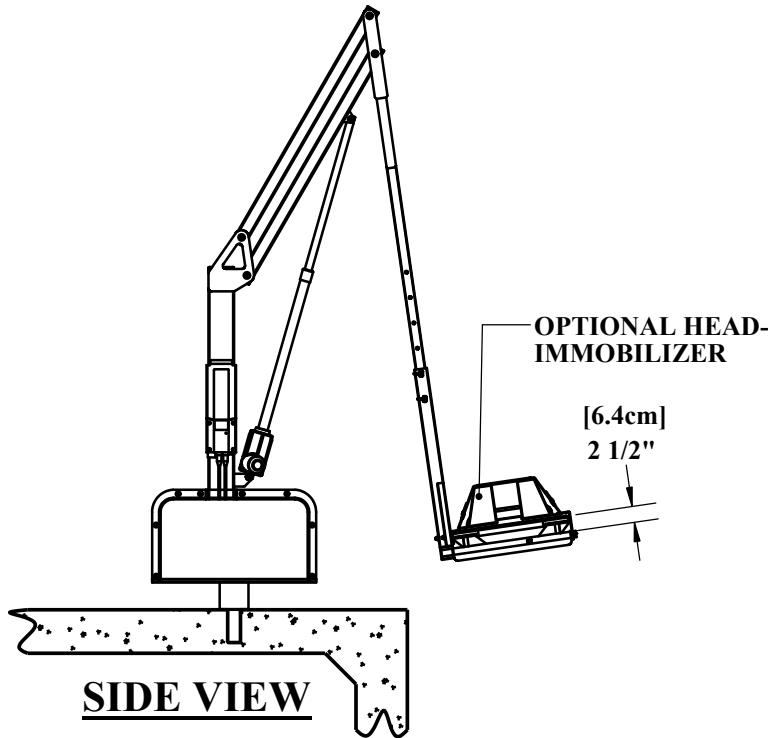


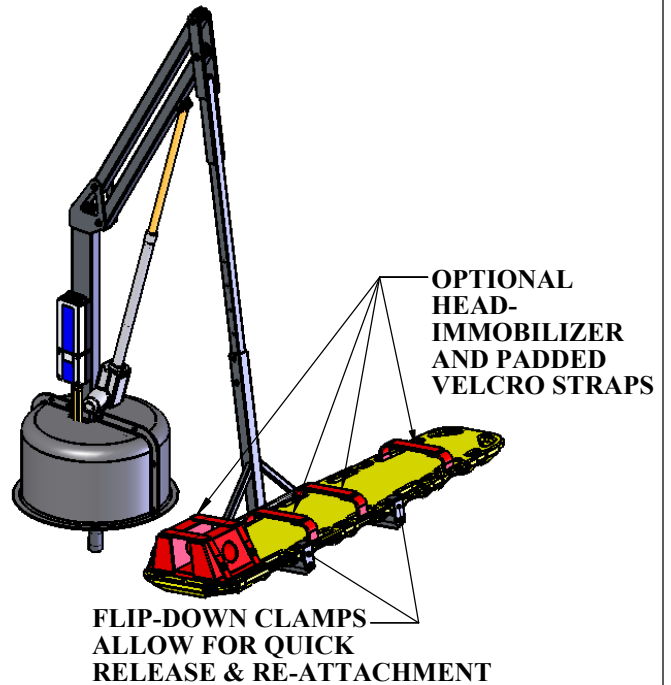
# REVOLUTION SPINEBOARD ATTACHMENT



**TOP VIEW**



**SIDE VIEW**



THE REVOLUTION LIFT CAN BE PURCHASED WITH AN OPTIONAL SPINEBOARD ATTACHMENT (WITH SPINEBOARD) FOR ADDITIONAL FUNCTIONALITY. THE SPINEBOARD ATTACHMENT WILL WORK IN BOTH ABOVE-GROUND AND IN-GROUND CONFIGURATIONS, AND WILL ALSO CLEAR A 34" [86.4cm] SPA WALL WITH THE STANDARD SEAT-ARM. WITH THE OPTIONAL SPA SEAT-ARM THE SPINEBOARD ATTACHMENT WILL CLEAR A 48" [122cm] WALL. THE SPINEBOARD MEASURES 73" [185.4cm] LONG BY 18-1/4" [46.4cm] WIDE BY 2-1/2" [6.4cm] THICK, AND IS MADE OF ROTATIONALLY MOLDED LLDPE. THE ATTACHMENT IS MADE OF TYPE 304 STAINLESS STEEL, AND IS EPOXY POWDER COATED.

FOR ADDITIONAL SAFETY AND FUNCTIONALITY, A HEAD IMMOBILIZER & PADDED VELCRO STRAP KIT IS AVAILABLE AS AN OPTION TO THE SPINEBOARD ATTACHMENT. THE KIT COMES WITH A THICK-FOAM HEAD IMMOBILIZER AND THREE (3) PADDED VELCRO STRAPS.



9889 GARRY MORE LANE  
 MISSOULA, MT 59808  
 (406) 549-0769  
 FAX (406) 549-2602

NOTE:  
 \*SPECIFICATIONS ARE SUBJECT TO CHANGE WITHOUT NOTICE  
 \*ALL DIMENSIONS ARE IN INCHES

PRODUCT:	F-734RSA	
DWG #:	F-734RSA-1	
SCALE:	1:30	DATE: 12/1/09
DRAWN BY:	DS	REVISION: B